

Nautical Instruments

www.goodluck1998.com.cn

Goodluck™

Manufacturer of
Fine Nautical Product

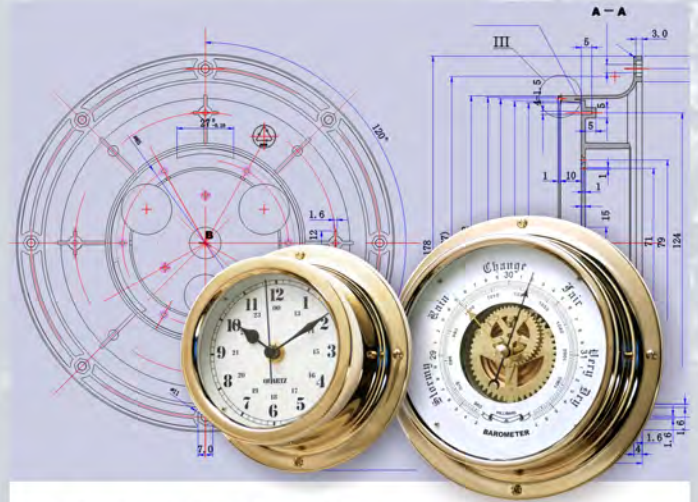


The Reason to Choose



Super Durability

The *Goodluck*[™] Nautical Instrument has been coated a New Protective Coating using an advanced surface treatment technology. It can stand up to NSS TEST for over 720 hours, which enables the surface of *Goodluck*[™] Nautical Instrument to be maintenance-free and will never tarnish even when exposed in marine environment for a long time.



Unique Design

The *Goodluck*[™] Quick Fixer System can lock *Goodluck*[™] Nautical Instrument hard on bulkhead or wall, and allows removing it by hand without any tools. The system can also seal the instrument and make it waterproof.



Waterproof

On *Goodluck*[™] Nautical Instrument, an innovative waterproof structure designed by Goodluck Company has been adopted. In the experiment to test water-tight seal, two items of *Goodluck*[™] Nautical Waterproof Clock with the new structure worked continuously under 300mm water level for over 3 months.



ECO-Friendly

All of *Goodluck*[™] Nautical Instruments and all parts of them are tested by the Ningbo Entry-Exit Inspection and Quarantine Technology Center of China, and accord with the requirements of RoHS Directive (2002/95/EC) and its amending decisions.

Goodluck™ Nautical Instrument



Complete Product Line

The *Goodluck™* Nautical Instrument product line includes 7 product series which contain a total of 78 models of product. The range of product line covers nautical clock, radio room clock, military time clock, time & tide clock, barometer, thermometer, hygrometer, comfortmeter, and clinometer.



Complete Accessories

The *Goodluck™* Nautical Instrument product line also includes 8 kinds of instrument accessories and decor, which contains a total of 16 models of wooden accessories or decor. They are wooden clock bases, wooden plaques, and ship wheel decor.



Product Warranty

Goodluck Fine Product MFG Ltd. warrants *Goodluck™* nautical instrument product as follows:

1. Movement of Instrument
 - 1) 5-year warranty:
Including movement of nautical quartz clock, radio room clock, military time clock, thermometer, hygrometer.
 - 2) 2-year warranty:
Including the movement of barometer, clinometer, and Time & Tide clock.
2. Finish of Case: Limited warranty for 10 years.

Special Service

Goodluck Company would like to provide customers with ODM & OEM service in certain ranges of products, and can offer customizing services as follows:

- 1) Printing of customer's LOGO or design on dial.
- 2) Manufacture of nautical instrument using customer's dial.
- 3) Engraving of brass engraving plate for customer.
- 4) Customizing weather station according to customer's selection of function.

Fair Winds and Calm Seas

Dear Customers:

Thank you very much for your kind attention on Goodluck Products. It is my pleasure to introduce Goodluck company and offer our products and services to you.

Established in 1998, Ningbo Goodluck Fine Product Manufacturing Co., Ltd., a professional manufacturer of fine nautical instruments, has been producing fine nautical products for over 10 years. Goodluck thinks much of the design & development of products and market, paying a lot of attention on studying and adopting new techniques. The rich experiences of manufacturing, high standard of work, strict quality control and favorable team atmosphere enable the company to offer high quality products and reliable services to its customers. All of these above have carried Goodluck's products into the world market, and made the company to be accepted by some famous nautical product companies as their OEM/ODM supplier. During the time of OEM, Goodluck has gained many valuable knowledge and experiences of manufacture, management and QC from these advanced companies. The growth process of Goodluck is virtually a process of unrelenting effort to make its products meet the standards of these reknowned companies.

As a supplier, Goodluck is always prepared to understand the needs of clients, and always remember that it is our duty to provide our customers with convenience; Goodluck will do its best to assist and support every customer to develop their businesses, and hope to get mutual benefits with every customer.

*Fair Winds and Calm Seas,
George Shen
President*

GoodluckTM Nautical Instrument



Ningbo Goodluck Fine Product
Manufacturing Co., Ltd.

Address:
Meilin, Zhuangqiao Town,
Jiangbei District,
Ningbo City,
Zhejiang Province,
China
P.C.: 315032

Tel #: (86) 574 87577648
Fax #: (86) 574 56877449
E-Mail:
goodluck@goodluck1998.com.cn
Web site:
[Http://www.goodluck1998.com.cn](http://www.goodluck1998.com.cn)
[Http://goodluck1998.en.alibaba.com](http://goodluck1998.en.alibaba.com)

宁波嘉瑞工艺精品制造有限公司

地址:
中国 浙江省 宁波市 江北区
庄桥梅林
邮编: 315032

电话: 86-574-87577648
传真: 86-574-56877449
邮箱:
goodluck@goodluck1998.com.cn
网址:
[Http://www.goodluck1998.com.cn](http://www.goodluck1998.com.cn)
[Http://goodluck1998.en.alibaba.com](http://goodluck1998.en.alibaba.com)

Product Model & Function

14

Nautical Clock

18

Nautical Quartz Clock

22

Military Clock

23

Radio Room Clock

24

Time & Tide Clock

Nautical Barometer

26

Thermometer & Hygrometer

30

Nautical Clinometer

32

Accessories & Weather Station

34

Wooden Stand Base

35

Wooden Plaque

39

Weather Station

40

Ship Wheel Decor

Super Durability

Nautical instrument usually work in marine atmosphere or off shore environment. Under these conditions, the air contains abundant salt-fog which is of microblob in disperse state. This kind of air has not only the higher relative humidity, but also density higher than that of ordinary air, and easily deposit on the surface of objects. The chloride in salt fog is of strong causticity which will seriously corrode metal material and its protective coating.



To prevent salt fog corrosion and extend service life, the case of traditional nautical instrument is usually made of naval brass which is of better corrosion resistance to chloride, and coated with a clear lacquer film on the polished surface of the case to ensure a lasting shine. Even so, the surface of the case will still become dark and tarnish under the strong corroding effect of salt fog, and one must maintain it termly to suspend the corrosion and renew its shine.

The Goodluck Company has adopted the advanced surface treatment techonlogy, which coats the ultra-hard and corrosion resistance plating on the metal case surface of *Goodluck's*TM nautical instrument. This new type of plating can stand up to tough corrosive condition and long time test. In the NSS TEST (Neutral Salt Spray Test), the durability time of case and parts of *Goodluck's*TM nautical instrument with the new plating all exceed 720 hours, the result of which not only meets the C5-M (Marine Atmosphere) durability standard of ISO 12944, but is also over 5 times the limited test time ordained by CB 146- The directing rule of environment testing & engineering of warship & vessel (The standard of CSSC).

Moreover, the new plating has many types of color or luster available such as polished brass, chrome, stainless steel etc. Thanks to the high corrosion resistance and hardness, the finish is maintenance-free and will never tarnish even when exposed in marine environment for a long time.

SALT FOG RESISTANCE TEST REPORT	
Test Report No:	NST/GW10996
Compiled By:	Zhang Yan <i>Zhang Yan</i>
Checked By:	Chen Shilong <i>Chen Shilong</i>
Approved By:	Sun Guangjiong <i>Sun Guangjiong</i>
Date of Issue:	2010-10-25
Laboratory:	Zhejiang CQC Testing Technical Services Co., Ltd.
Address:	No. 5-9, Zhuangqiao Town, Jiangbei District, Ningbo Processing Zone, Ningbo China
P. C.:	315800
Tel:	0574-86812592
Fax:	0574-86813876
Testing Location:	No. 5-9, Zhuangqiao Road, Ningbo Export Processing Zone, Ningbo China
Client Name:	Ningbo Goodluck Fine Product Manufacturing Co., Ltd.
Address:	Melin, Zhuangqiao Town, Jiangbei District, Ningbo City, Zhejiang Province, China
Test Specification:	—
Standard:IEC 60068-2-11:1981
Procedure Deviation:	—
Test Method:	See Appendix 1
Sample Name:	Hinged Bezel and Clock Case of Nautical Instrument
Brand:	Goodluck™
Model:	GL120, GL122, GL150, GL152, GL180, GL195, GL198
Manufacturer:	Ningbo Goodluck Fine Product Manufacturing Co., Ltd.
Address:	Melin, Zhuangqiao Town, Jiangbei District, Ningbo City, Zhejiang Province, China
Date of Receipt of Test Item:	2010-09-03
Test Verdict:	After 800 hours of test, the hinged bezel of GL120, GL150, GL180 and GL195 have no oxidation products on its outside surface. After 800 hours of test, the clock case of GL120, GL122, GL150, GL152, GL180, GL195 and GL198 have no oxidation products on its outside surface.

Zhejiang CQC Testing Technical Services Co., Ltd.



Zhejiang CQC Testing Technical Services Co., Ltd.

TEST REPORT



Test Report No: NST/GW10996
 Sample Name: Hinged Bezel and Clock Case of Nautical Instrument
 Model: GL120, GL122, GL150, GL152, GL180, GL195, GL198
 Date (s) of Tests: 2010-09-03 ~ 2010-10-18
 Manufacturer: Ningbo Goodluck Fine Product Manufacturing Co., Ltd.

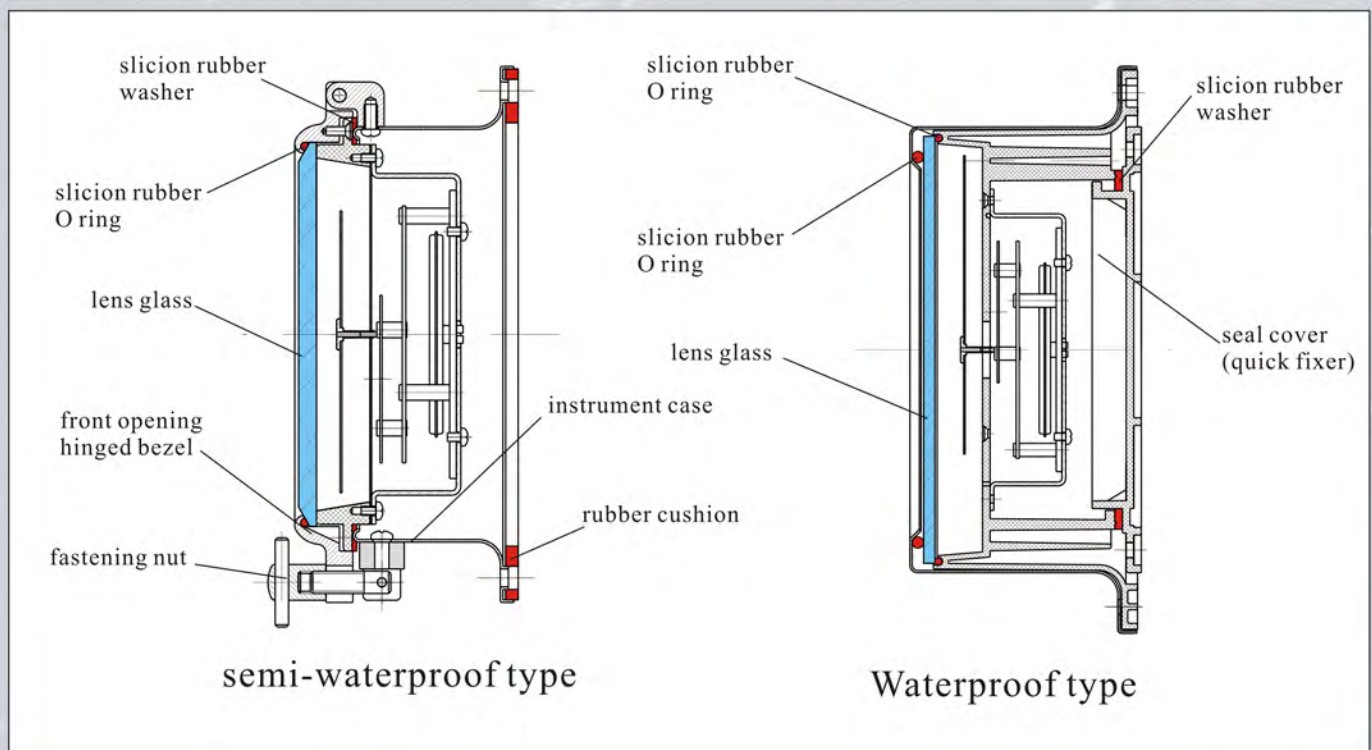
Waterproof

Nautical Instruments usually work in marine atmosphere or offshore environment. Under these conditions, the air has high relative humidity and contains abundant salt-fog which is of micro-blob in disperse state. The vapor and salt fog will come into the interior of the instrument if its case does not have good seal structure, corroding its movements and circuit, causing short circuit or blocking of the movement, and impairing the reliability and service life of the instrument. As for the occasion where nautical instrument will work outside the cabin, such as hypaethral driving seat or outdoor working deck, the case of instrument must

To meet these service requirement, Goodluck has developed waterproof nautical instrument. According to the different water tight seal demands, the instrument can be classified into semi-waterproof type and waterproof type.

1) Semi-waterproof type

A silicon rubber O ring is mounted in the front of instrument lens glass, and a rubber washer is installed between the front opening hinged bezel and instrument case. This structure is able to stand against splashing water, and suitable for the semi opening working condition. In Goodluck product line, GL120, GL122, GL150, GL152, GL198 series product can be provided with semi-waterproof structure.



GoodluckTM Nautical Instrument

2) Waterproof type

An innovative structure (Patent pending, China Patent application No. 2010201271493) designed by Goodluck company has been adopted, which is composed of a ABS clock housing installed in metal clock case, sealed in the front by lens glass with double O rings, and on the back by a seal cover which can be screwed tight onto the back of the clock housing. In the experiment to test its impermeability, the marine clock (GL152-TT, GL198-C1) with the new structure worked continuously under 300mm water level for over 3 months.

In Goodluck product line, GL152 & GL198 series products can be provided with the waterproof structure.

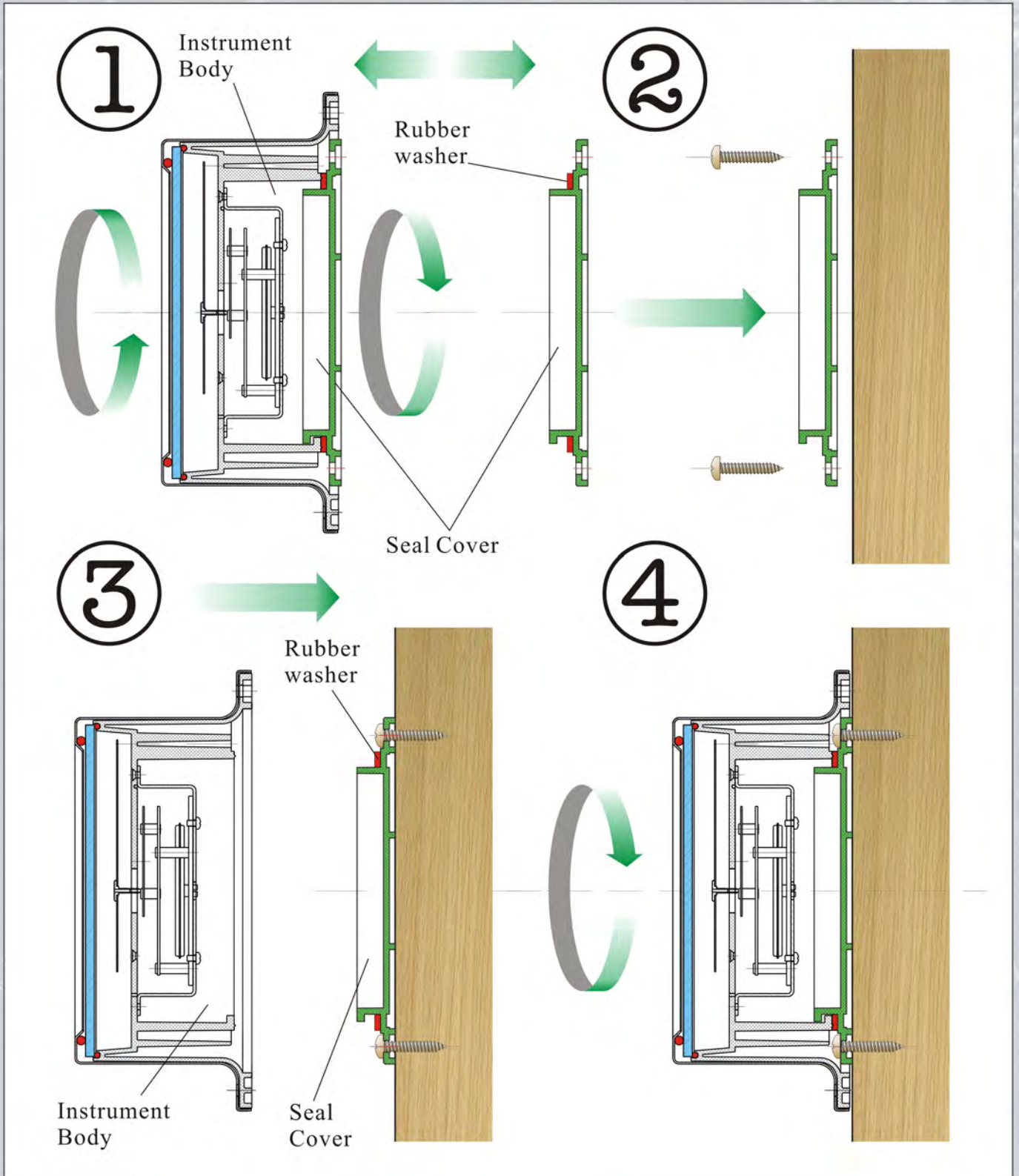
Cooperating with the weatherproof metal instrument case, Goodluck waterproof nautical instrument is able to be used in such working conditions as follows:

- Marine
- Watery
- Corrosive
- Outdoor
- Other working condition in which the contact of water is possible.

***GL Waterproof Nautical Instrument is not designde for DIVING purpose. Although it is allowed be immerged in water, but it cannot be used as a DIVING instrument.**



Unique Design



GoodluckTM Nautical Instrument

GoodluckTM Quick Fixer System

— Quick fixing & Waterproof System

- Patent pending, China Patent application No. 2010201271493
- Available on GL152 & GL198 Series

There are some problems worrying the customers of nautical instrument:

1) Operating convenience

The nautical instrument must be fixed on the bulkhead of boat or ship to avoid swing during sailing. When adjusting or changing battery, the instrument need to be removed from the bulkhead. To realize this, usually one need to take the fixing bolts down with a screwdriver or other tools, this is inconvenient especially during sailing when swing is inevitable

2) Waterproof

To ensure easy operation, a hinged bezel has been applied on some nautical instruments, which allows access to the movements for winding, battery replacement or adjustment without removal from the bulkhead.

However, this kind of nautical instrument has poor sealing performance, and cannot be used in watery or outdoor conditions.

GoodluckTM Quick Fixer System

A unique and ingenious design, has resolved all of the problems mentioned above at the same time.

In this system, there is a seal cover with a silicon rubber water tightness washer, which can be screwed tight onto the back of the instrument housing and seal it effectively.

The **Highlight** of this design is that the **Seal cover** is also the **Mounting** plate of the instrument. To mount the nautical instrument onto bulkhead, simply fix the seal cover onto the bulkhead with bolts and then wind up the instrument body onto the cover. The screw-tight structure can lock the instrument hard on bulkhead. When adjusting or changing battery, simply wind the instrument body reversely to separate it from the seal cover, and the instrument is dismantled from the bulkhead.

The silicon rubber washer on the seal cover can seal the instrument housing reliably to make it waterproof. Moreover, the washer can also absorb the vibration from boat or ship to ensure proper function of the instrument.



中华人民共和国宁波出入境检验检疫局技术中心

NINGBO ENTRY-EXIT INSPECTION AND QUARANTINE
TECHNOLOGY CENTER OF THE PEOPLE'S REPUBLIC OF CHINA

RoHS 证书 CERTIFICATE of RoHS

No.23200911571

- 申请人** : 宁波嘉瑞工艺精品制造有限公司
Applicant : Ningbo Goodluck Fine Product Manufacturing Co., Ltd.
- 申请人地址** : 浙江省宁波市江北区庄桥镇梅林
Applicant Address: Meilin, Zhuangqiao Town, Jiangbei District, Ningbo City, Zhejiang Province China
- 产品名称** : 台式舷窗石英钟、舵轮钟、气候仪、转轮名片架、台式工艺品、指南针、航海挂钟、航海气候仪、航海倾斜仪
Product Name : Porthole Desk Clock, Ship Wheel Clock, Weather Instrument, Business Card Holder, Desk Set, Compass, Nautical Clock, Nautical Weather Instrument, Nautical Clinometer
- 型号 Model** : GL001, GL002, GL004, GL006, GL008, GL012-1, GL012-2, GL104, GL018, GL020, GL020b-C, GL025, GL026, GL038, GL041, GL057, GL032, GL034, GL035, GL036, GL164, GL165, GL040, GL043, GL049, GL059, GL060, GL061, GL062, GL076, GL078, GL090, GL112, GL133, GL134, GL136, GL138, GL139, GL143, GL144, GL185-186, GL180-B, GL180-BO, GL180-BT, GL180-C1, GL180-C2, GL180-C2A, GL180-C3, GL180-C4, GL180-CL, GL180-TH, GL180-TT, GL195-B, GL195-BO, GL195-BT, GL195-C1, GL195-C2, GL195-C2A, GL195-C3, GL195-C4, GL195-CL, GL195-TH, GL195-TT
- 拆分描述** : 拆分了航海气候仪(GL180-BT)、气候仪(GL076)和其它产品专用的零部件, 经同质归类后检测了 60 个样品。
Disassembly : The Nautical Weather Instrument(GL180-BT), Weather Instrument(GL076) and special parts of the others' product were disassembled respectively. and 60 samples were tested after classification by the same material.
- 检测方法** : 参照 IEC 62321: 2008
Test Method : Refer to IEC 62321: 2008
- 检测结果** : 见附件 1 中所列编号的报告。
Test Results : See the reports that their numbers are listed in Annex 1.
- 评定** : 根据检测结果和对提供资料的评审, 本产品符合 RoHS 指令(2002/95/EC)及后续修订决议的要求。
Conclusion : Based on the test results and the review of offered documents, the above-mentioned product accords with the requirements of RoHS Directive (2002/95/EC) and its amending decisions.

授权签字人 AUTHORIZED SIGNATURE:



签发日期 DATE OF ISSUE: 2009.8.31

0005358

中国宁波市马园路9号 邮编 315012 9 Mayuan Road Ningbo China
Tel: (86) 574-87022120 87022620 Fax: (86) 574-87144900 Http: www.nbciqtc.com

Product Warranty

GoodluckTM

Nautical Instrument Product Warranty

Goodluck Fine Product MFG Ltd. warrants *Goodluck*TM nautical instrument product against defects in material or workmanship as follows:

In the event that any *Goodluck*TM nautical instrument is determined to be defective, Goodluck will supply replacement of defective parts, at no charge, to distributor in the warranty period; after the warranty period, the parts of replacement will be available with additional cost.

1. Movement of Instrument

1) 5-year warranty:

Including movement of nautical quartz clock, radio room clock, military time clock, thermometer, hygrometer.

2) 2-year warranty:

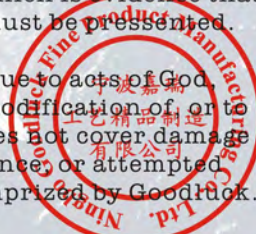
Including the movement of Time & Tide clock, barometer, and clinometer.

2. Finish of Case

Limited warranty for 10 years.

To obtain warranty service, the product must be returned to distributor in either its original packing or packing affording an equal degree of protection, and the proof of purchase in the form of a bill of sale or receipted invoice which is evidence that the unit is within the warranty period must be presented.

This warranty does not cover damage due to acts of God, accident, misuse, abuse, negligence, or modification of, or to any part of the product. This warranty does not cover damage due to improper operation or maintenance or attempted repair by anyone other than a facility authorized by Goodluck.



Special Service

ODM Service (Origin Design Manufacture Service)

Goodluck Company has the ability of product design and development. Many of its products are self-designed and developed. As for those classical products, such as nautical instruments, the company has re-designed their structures and functions on the premise of preserving their original style. Since the products designed by Goodluck are popular in various markets, a number of clients would like to have these products manufactured using their brands.

Given the Win-Win principle, Goodluck Company would like to provide customer with ODM service in certain ranges of products.



OEM Service (Origin Entrusted Manufacture Service)

The progress of Goodluck Company has been accompanied with the experience of doing OEM for some famous nautical products companies, during which time the company has gained enormous valuable knowledge and experiences of manufacture, management and QC from these advanced companies. It could be said that the growth process of Goodluck Company is virtually a process of unrelenting effort to make its products meet the standards of these renowned companies. In light of this, Goodluck Company would like to offer OEM service to its customers whilst establishing and developing its own brand.

Customizing Service

Started with manufacturing nautical gifts, the Goodluck Company has abundant experiences of customizing service and understands the meaning of the services to customers. For this reason, the company has reserved this service all along. The items of customizing service are as follows:

- 1) Printing of customer's LOGO or design on the dial of nautical instrument;
- 2) Manufacture of nautical instrument using customer's dial;
- 3) Engraving of brass engraving plate for customer;
- 4) Customizing weather station according to customer's selection of functions.
(For details, Please see the Table 11 on page 39).

Terms about Intellectual property right

All of the services mentioned above (including ODM, OEM, and Customizing Service) deal with intellectual property rights. Goodluck Company hereby declares the terms about these rights as follows:

1) ODM-Origin Design Manufacture Service.

Goodluck Company ensures that the design is made by itself and reserves all rights of the design;

2) OEM-Origin Entrusted Manufacture Service

The customer which entrusts Goodluck Company to do OEM must ensure that all of things who provides to Goodluck Company for the jobs (including designs, products, technology, tools or moulds, etc.) are belong to it self, and does not infringe anyone's right. All of legal liabilities and consequences arising from these will be borne by the customer.

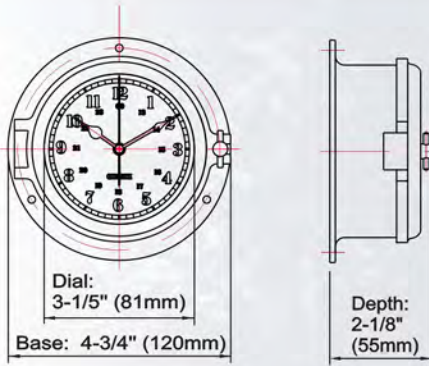
3) Terms about Using Customer' Trademark or LOGO

According to the rules of international intellectual property rights, all of customers who accredit Goodluck Company to use trademarks or logos of their own on ODM/OEM/Customizing products must provide the original of authorization to Goodluck Company. The agent entrusted by the final customer to order products mentioned above from Goodluck Company must provide the original of authorization in which the final customer accredits the agent to use its trademark or logo on the product, and the original of authorization in which the agent accredits Goodluck Company to use final customer's trademark or logo.



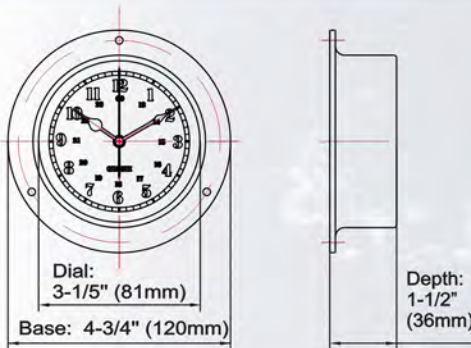
Product Model Introduction

GL120



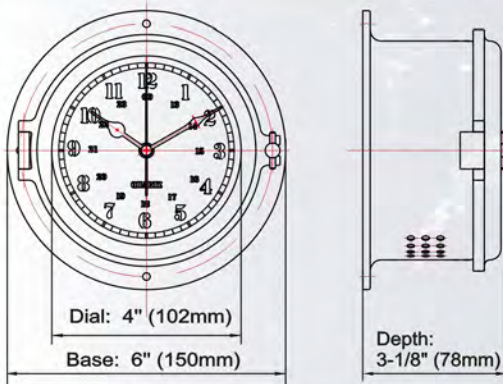
- Has a hinged bezel with a beveled glass lens and screw-down fastener, this allows access to the movements for winding, battery change over or adjustment without removal from the bulkhead.
- Semi- waterproof available, able to stand up to light splashing water.
- Small volum suitable for narrow room or cabin.
- Quartz clock, barometer, thermometer, hygrometer comfortmeter and clinometer available.
- Wooden stand base and plaque available.

GL122



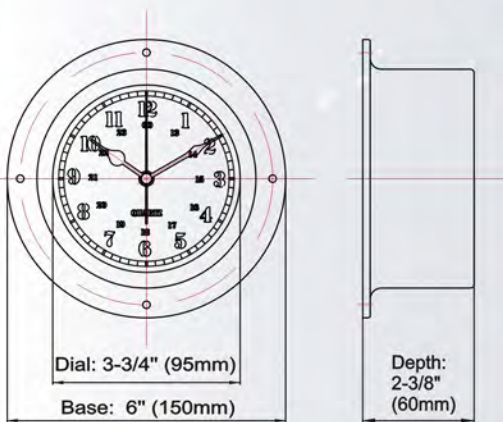
- Has the same functions as GL120, but without hinged bezel. Has the fixed lens with silicon rubber O - ring, and higher weatherproof than GL 120.
- Small volum is suitable for narrow room or cabin.
- Quartz clock, barometer, thermometer, hygrometer comfortmeter and clinometer available.
- Solid wood plaque available.

GL150



- Has a hinged bezel with a beveled glass lens and screw-down fastener, this allows access to the movements for winding, battery change over or adjustment without removal from the bulkhead.
- Volume larger than GL 120 to house complete movement series. Quartz clock, Time & Tide clock, military time clock, barometer, barometer with thermometer, comfort-meter and clinometer available.
- Semi- waterproof available, able to stand up to light splashing water.
- Wooden stand base and plaque available.

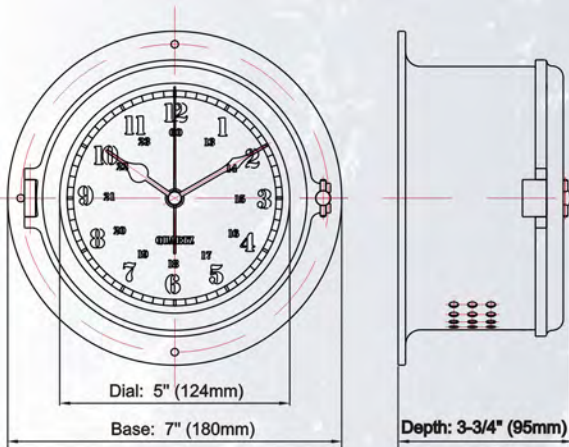
GL152



- Waterproof structure and tempered glass lens optional on quartz clock and clinometer, can be used in outdoor, watery, corrosive and tough weather condition.
- Barometer and comfortmeter has semi - waterproof structure, can be used in water splashing condition.
- Has Goodluck Quick fixer system, which can lock the instrument hard on bulkhead or wall, and allows removing it by hand without any tool for adjustment and battery replacement.
- Quartz clock, Time & Tide clock, military time clock, barometer, barometer with thermometer, comfortmeter and clinometer available
- Wooden stand base and plaque available.

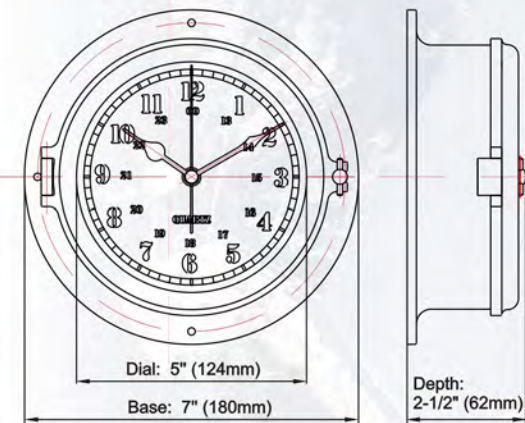
GoodluckTM Nautical Instrument

GL180



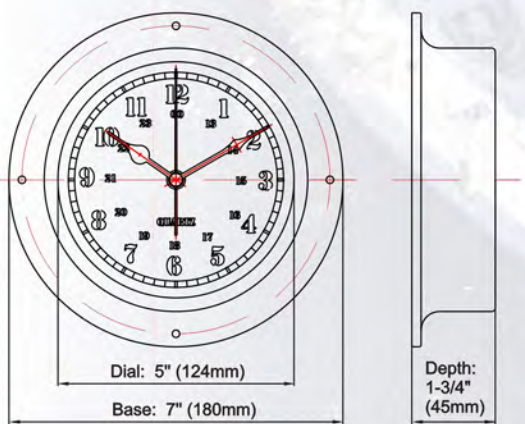
- The classic style nautical instrument collection.
- Has a hinged bezel with a beveled glass lens and screw - down fastener, this allows access to the movements for winding, battery change over or adjustment without removal from the bulkhead.
- Quartz clock, Time & Tide clock, military time clock, barometer, barometer with thermometer, comfortmeter and clinometer available
- Solid wood single / double wooden stand base available.

GL195



- Has a hinged bezel with a beveled glass lens and screw - down fastener, this allows access to the movements for winding, battery change over or adjustment without removal from the bulkhead.
- Has a lower height than GL 180 suitable for cabined space or room.
- Quartz clock, Time & Tide clock, military time clock, barometer, barometer with thermometer, comfortmeter and clinometer available
- Wooden plaque and ship wheel decor available.

GL198



- Waterproof structure and tempered glass lens optional on quartz clock and clinometer, can be used in outdoor, watery, corrosive and tough weather condition.
- Barometer and comfortmeter has semi - waterproof structure, can be used in water splashing condition.
- Has Goodluck Quick fixer system, which can lock the instrument hard on bulkhead or wall, and allows removing it by hand without any tool for adjustment and battery replacement.
- Quartz clock, Time & Tide clock, military time clock, barometer, barometer with thermometer, comfortmeter and clinometer available.
- Wooden plaque and ship wheel decor available.

Introduction of Function No.

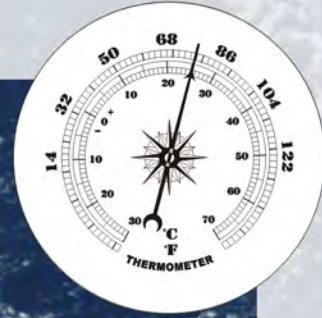
C1



C5



T



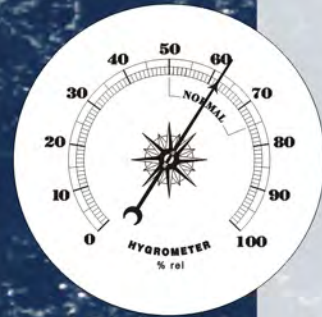
C2



TT



H



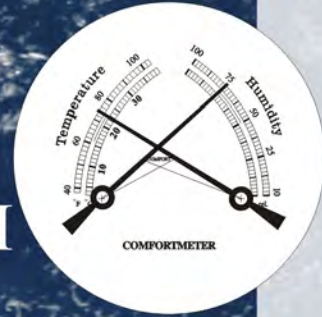
C2A



B



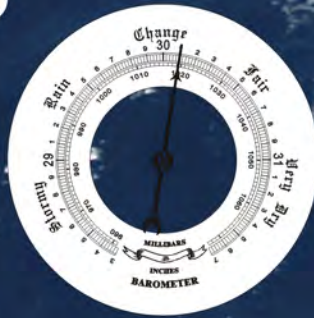
TH



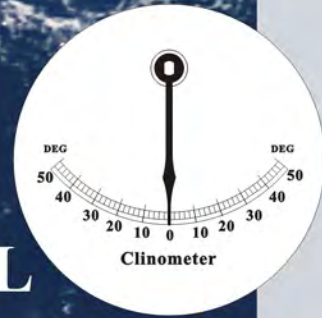
C3



BO



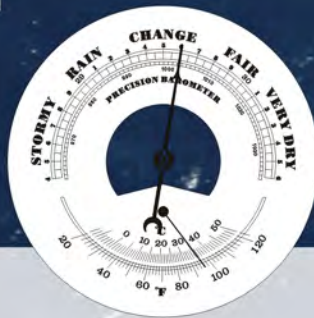
CL



C4



BT



GoodluckTM Nautical Instrument

Table 1

Function No.	Functions	Item No.						
		GL 120	GL 122	GL 150	GL 152	GL 180	GL 195	GL 198
C1	12 hour Format Quartz Clock 12-24 hour Arabic numerals dial	●	●	●	◎	●	●	◎
C2	12 hour Format Quartz Clock 12 hour Roman numerals dial	●	●	●	◎	●	●	◎
C2A	12 hour Format Quartz Clock 12 hour Roman numerals dial					●	●	◎
C3	12 hour Format Quartz Clock 12 hour Signal flag numerals dial	●	●	●	◎	●	●	◎
C4	Millitary Time/24 hour Clock 24 hour Arabic numerals dial			●	◎	●	●	◎
C5	Radio Room Clock 12 hour Arabic numerals dial	●	●	●	◎	●	●	◎
TT	Time & Tide Clock 12 hour Arabic numerals dial with tide indication			●	◎	●	●	◎
B	Aneroid Barometer	●	●	●	●	●	●	●
BO	Open dial Aneroid Barometer	●	●	●	●	●	●	●
BT	Aneroid Barometer with Bimetal Thermometer			●	●	●	●	●
T	Bimetal Thermometer	●	●					
H	Bimetal Hygrometer	●	●					
TH	Bimetal Thermometer with Hygrometer	●	●	●	●	●	●	●
CL	Pointer style Pendulum Clinometer	●	●	●	◎	●	●	◎

◎ *Waterproof Available*

Nautical Quartz Clock

Features:

Dial: size: 3-1/5", 3-3/4", 4", 5" dial available.
style: 4 styles of dial optional.

C1: 12 hour Arabic numerals dial with smaller hour numerals from 13 to 00 to read GMT directly.

C2: 12 hour Roman numerals dial.

C2A: 12 hour Roman numerals dial with sailing decor. available on GL 180, 195, 198.

C3: 12 hour signal flag numerals dial.

Movement: Youngtown 12888 12 hour format quartz clock movement with CE CERTIFICATE.
*Sweep second hand movement optional.

Case: 7 kinds of case model available:

GL 120, GL 122, GL 150, GL 152, GL 180,
GL 195, GL 198

All of the cases are made of brass and high quality alloy, polished by hand carefully, and coated with ultra-hard and corrosion resistance plating. The finish is maintenance-free and will never tarnish when exposed in marine environment for a long time.

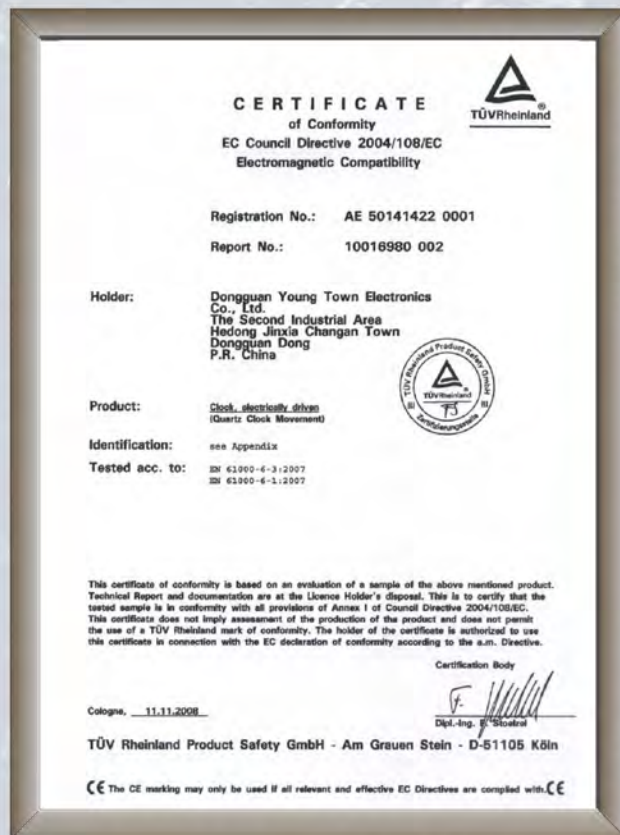
The color or luster optional from:
polished brass, chrome and stainless steel.

Waterproof: GL 152-CW, GL 198-CW waterproof available:

Warranty:

Movement: 5-year warranty; Lifetime servicing.

Finish of Case: 10-year warranty; Lifetime servicing.



CE CERTIFICATE of
Youngtown 12888 Quartz Clock Movement

Technical Specifications of Youngtown 12888 Quartz Clock Movement

Table 2

Operation Voltage	1.3V ~ 1.7V
Time Keeping Accuracy	±30 Sec/Month At 1.5V DC. 25°C
Current Consumption	Less Than 150µA At 1.5V DC.
Torque At Second Hand	0.6 (gr-cm)
Torque At Minute Hand	Less Than 36 (gr-cm)
Operating Temperature Range	-10°C ~ 60°C
Battery Life	Approx. One Year (UM-3)
Time Indication	12-Hour Indication By 3 Hands (Analogue)
Time Indication (C4: 24 hours)	24-Hour Indication By 3 Hands (Analogue)

*Goodluck*TM Nautical Instrument

GL 120 Series Nautical Quartz Clock

Dial: 3-1/5" 81mm. Base: 4-3/4" 120mm. Depth: 2-1/8" 55mm. Wt. 320g



GL 122 Series Nautical Quartz Clock

Dial: 3-1/5" 81mm. Base: 4-3/4" 120mm. Depth: 1-1/2" 36mm. Wt. 220g

GL 150 Series Nautical Quartz Clock

Dial 4" 102mm. Base: 6" 150mm. Depth: 3-1/8" 78mm. Wt. 540g



Nautical Quartz Clock

GL 152 Series Nautical Quartz Clock

Dial 3-3/4", 95mm. Base: 6", 150mm. Depth: 2-3/8" 60mm. Wt.400g



GL 152-C1

GL 152-C2

GL 152-C3

GL 180 Series Nautical Quartz Clock

Dial 5" 124mm. Base: 7" 180mm. Depth: 3-3/4" 95mm. Wt.1020g



GL 180-C1

GL 180-C2

GL 180-C2A

GL 180-C3

GoodluckTM Nautical Instrument

GL 195 Series Nautical Quartz Clock



Dial: 5", 124mm.
 Base: 7", 180mm.
 Depth: 2-1/2" 62mm.
 Weight: 900g

GL 198 Series Nautical Quartz Clock

Dial: 5", 124mm.
 Base: 7", 180mm.
 Depth: 1-3/4" 45mm.
 Weight.:435g



GL 198-C2A

GL 198-C3

Nautical Military Time Clock

Features:

Dial: size: 3-3/4", 4", 5" dial available.
style: .

C4: 24 hour Arabic numerals dial

Movement: Youngtown 12888 24 hour format quartz clock movement with CE CERTIFICATE.

Case: 5 kinds of case model available:

GL 150, GL 152, GL 180, GL 195, GL 198

All of the cases are made of brass and high quality alloy, polished by hand care-fully, and coated with ultra-hard and corrosion resistance plating. The finish is maintenance-free and will never tarnish when exposed in marine environment for a long time.

The color or luster optional from:
polished brass, chrome and stainless steel.

Waterproof: GL 152 -C4W, GL 198-C4W waterproof available.

Warranty: **Movement:** 5- year warranty;
Lifetime servicing.

Finish of Case: 10- year warranty;
Lifetime servicing.

Dial 5" 124mm. **GL180-C4**

Base: 7" 180mm.

Depth: 3-3/4" 95mm.

Wt.1020g



GL195-C4

Dial: 5", 124mm.

Base: 7", 180mm.

Depth: 2-1/2" 62mm

Weight: 900g



GL 152-C4

Dial 3-3/4", 95mm.

Base: 6", 150mm.

Depth: 2-3/8" 60mm.

Wt.400g

GL 150-C4

Dial 4" 102mm.

Base: 6" 150mm.

Depth: 3-1/8" 78mm.

Wt.540g



GL 198-C4

Dial: 5", 124mm.

Base: 7", 180mm.

Depth: 1-3/4" 45mm.

Weight.:435g



Nautical Radio Room Clock

Features:

Dial: size:3-1/5",3-3/4",4", 5" dial available.

Style:

C5: 12 hour Arabic numerals dial with the red two 3- minute silent periods (no signals transmitted), the green two 3- minute silent periods (no call transmitted), and 4 second marks which is red around the outside edge of the dial.

Movement: Youngtown 12888 12 hour format quartz clock movement with CE CERTIFICATE.

*Sweep second hand movement available on GL 150, GL 152, GL 180, GL 195, GL 198 model.

Case: 7 kinds of case model available:

GL 120, GL 122, GL 150, GL 152, GL 180, GL 195, GL 198

All of the cases are made of brass and high quality alloy, polished by hand care-fully, and coated with ultra - hard and corrosion resistance plating. The finish is maintenance- free and will never tarnish when exposed in marine environment for a long time.

*The color or luster optional from: polished brass, chrome and stainless steel.

Waterproof: Available on GL 152-C5W, GL 198-C5W.

Warranty: Movement: 5- year warranty;
Lifetime servicing.

Finish of Case: 10- year warranty;
Lifetime servicing.



GL195-C5

Dial: 5", 124mm.

Base: 7", 180mm.

Depth: 2-1/2" 62mm.

Weight: 900g



GL 198-C5

Dial: 5", 124mm.

Base: 7", 180mm.

Depth: 1-3/4" 45mm

Weight.:435g



GL 120-C5

Dial:3-1/5" 81mm

Base: 4-3/4" 120mm

Depth: 2-1/8" 55mm

Wt.320g

GL180-C5

Dial 5" 124mm.

Base: 7" 180mm.

Depth: 3-3/4" 95mm.

Wt.1020g

GL 150-C5

Dial 4" 102mm.

Base: 6" 150mm.

Depth: 3-1/8" 78mm.

Wt.540g

GL 152-C5

Dial 3-3/4", 95mm.

Base: 6", 150mm.

Depth: 2-3/8" 60mm.

Wt.400g



GL 122-C5

Dial:3-1/5" 81mm.

Base: 4-3/4" 120mm.

Depth: 1-1/2" 36mm.

Wt.220g



Nautical Time & Tide Clock

Features:

Dial: size: 3-3/4", 4", 5" dial available.
style: TT: 12 hour Arabic numerals dial with tide inditation.

Movement: Trintec 12 hour format time & tide quartz clock movement.

Case: 5 kinds of case model available: GL 150, GL 152, GL 180, GL 195, GL 198

All of the cases are made of brass and high quality alloy, polished by hand carefully, and coated with ultra - hard and corrosion resistance plating. The finish is maintenance -free and will never tarnish when exposed in marine environment for a long time.

*The color or luster optional from polished brass, chrome and stainless steel.

Waterproof: The waterproof structure is available on: GL152-TTW, GL198-TTW

Warranty: **Movement:** 2- year warranty
Lifetime servicing.

Finish of Case: 10-year warranty
Lifetime servicing.

Insturction of Trintec Time & Tide Clock Movement

DO NOT RELY ON THIS PRODUCT FOR TIDE INFORMATION IF THERE IS A CHANGE FOR DAMAGE, LOSS OR INJURY RESULTING FROM IMPROPER TIDE INFORMATION
THIS PRODUCT USES THE LUNAR TIDE CYCLE TO DISPLAY TIDE CONDITION.
"TIDES" ARE THE RISE AND FALL OF OCEAN WATERS IN RESPONSE TO THE FORCES EXERTED PREDOMINATELY BY THE MOON. THE MOON CREATES TWO TIDAL BULGES ON EARTH, ONE AT THE CLOSEST AND ONE AT THE FARTHEST POINT FROM THE MOON. THE EARTH ROTATES THROUGH THESE TWO TIDAL BULGES EVERY LUNAR DAY. A LUNAR DAY IS 24 HOURS AND 50 MINUTES. THIS IS DUE TO THE FACT THE MOON REVOLVES AROUND THE EARTH IN THE SAME DIRECTION THAT THE EARTH ROTATES AROUND ITS OWN AXIS.
THERE ARE A NUMBER OF FACTORS WHICH CAUSE VARIATIONS IN THE TIDAL CYCLE:

- THE SUN ALSO GENERATES TIDAL FORCES, BUT THEY ARE MUCH SMALLER AND ARE CONSIDERED TO BE VARIATIONS OF THE LUNAR TIDES.
 - THE LARGE CONTINENTAL LAND MASSES BLOCK THE WESTWARD TRAVEL OF THE TIDAL BULGE AND CAUSE COMPLEX TIDAL CYCLES IN OCEAN BASINS THAT CAN DIFFER GREATLY FROM ADJACENT BASINS.
 - OCEAN FLOOR TOPOGRAPHY, BAYS OR NARROW INLETS CAN ALL CAUSE RESONANCE EFFECTS, ALTERING THE TIDAL CYCLE.
- THESE FACTORS LIMIT THE AREAS WHERE THIS PRODUCT CAN BE USED TO DISPLAY TIDE CONDITION ACCURATELY. (SEE MAP BELOW)**
FOR MORE INFORMATION ON TIDES TRY: <http://tidesandcurrents.noaa.gov/>



TIME AND TIDE CLOCKS CAN ONLY BE ACCURATE WHEN USED IN RED AREAS

TIDE CLOCK and TIME AND TIDE CLOCK Instructions

-Install one "AA" sized battery in the correct direction. If the battery is reversed, the clock will not function.

-To Set a TIDE CLOCK

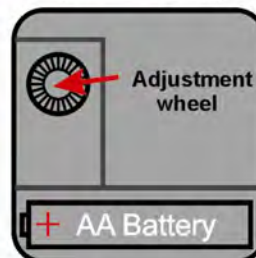
-Adjust the tide hand using the **adjustment wheel** on the back of the clock, according to your local tide information.

-To Set a TIME AND TIDE CLOCK

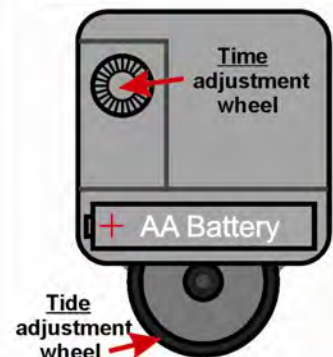
FIRST -Adjust the hour and minute hands to the correct time using the **time adjustment wheel** on the back of the clock.
SECOND -Align the **RED** tide hand using the **tide adjustment wheel** according to your local tide information.

FOR BEST RESULTS - SET TO "HIGH TIDE" DURING A FULL MOON OR NEW MOON PHASE.

TIDE CLOCK



TIME AND TIDE CLOCK



GoodluckTM Nautical Instrument



GL150-TT

Dial 4" 102mm.
Base: 6" 150mm.
Depth: 3-1/8" 78mm.
Wt.540g



GL152-TT

Dial 3-3/4", 95mm.
Base: 6", 150mm.
Depth: 2-3/8" 60mm.
Wt.400g



GL180-TT

Dial 5" 124mm.
Base: 7" 180mm.
Depth: 3-3/4" 95mm.
Wt.1020g



GL195-TT

Dial: 5", 124mm.
Base: 7", 180mm.
Depth: 2-1/2" 62mm.
Weight: 900g



GL198-TT

Dial: 5", 124mm.
Base: 7", 180mm.
Depth: 1-3/4" 45mm.
Weight.:435g

Nautical Barometer

Dial: size: 3-1/5", 3-3/4", 4", 5" dial available.
style: 3 styles of dial optional.

B: Standard barometer dial with inch and millibar scales.

BO: Standard barometer dial with inch and millibar scales and opening center window.

BT: Standard barometer with bimetal thermometer.

Movement: Metal aneroid barometer movement, temperature compensated, fully adjustable, with RoSH CERTIFICATE.

Case: 7 kinds of case model available:
GL 120, GL 122, GL 150, GL 152, GL 180, GL 195, GL 198

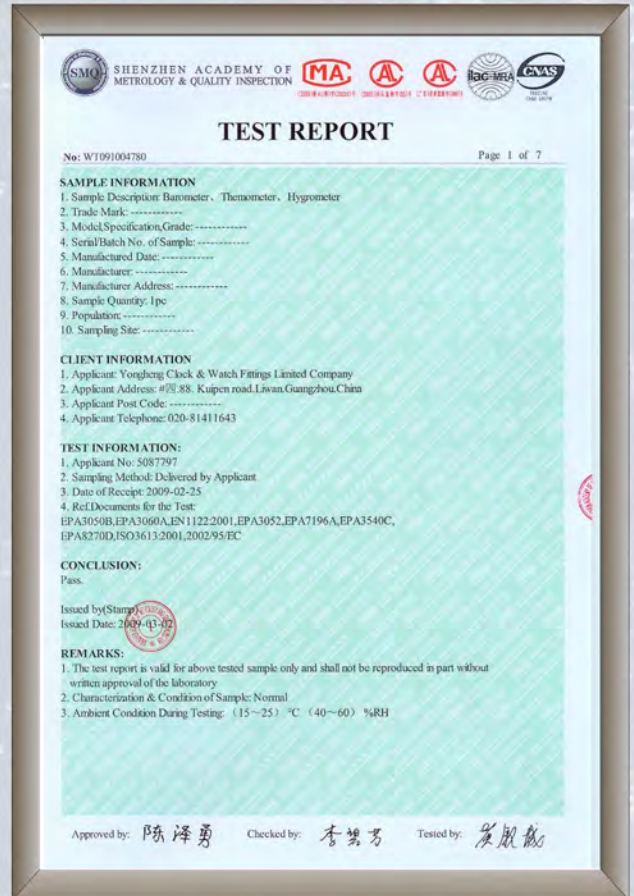
All of the cases are made of brass and high quality alloy, polished by hand carefully, and coated with ultra-hard and corrosion resistance plating. The finish is maintenance - free and will never tarnish when exposed in marine environment for a long time.

The color or luster optional from: polished brass, chrome and stainless steel.

Waterproof: GL 120, GL 122, GL 150, GL 152, GL 198 are semi-waterproof, can stand against splashing water.

Warranty: **Movement:** 2 year warranty
lifetime servicing

Finish of Case: 10 year warranty
lifetime servicing



RoSH CERTIFICATE of Aneroid Barometer Movement

Technical Specifications of Aneroid Barometer Movement

Table 3

Size	Φ64.5 mm * 23 mm
Material	Brass, Steel
Measurement Range	960~1060 hPa
Precision	990~1030 hPa: ±3hPa 960~990 hPa/1030~1060 hPa: ±5hPa

GoodluckTM Nautical Instrument

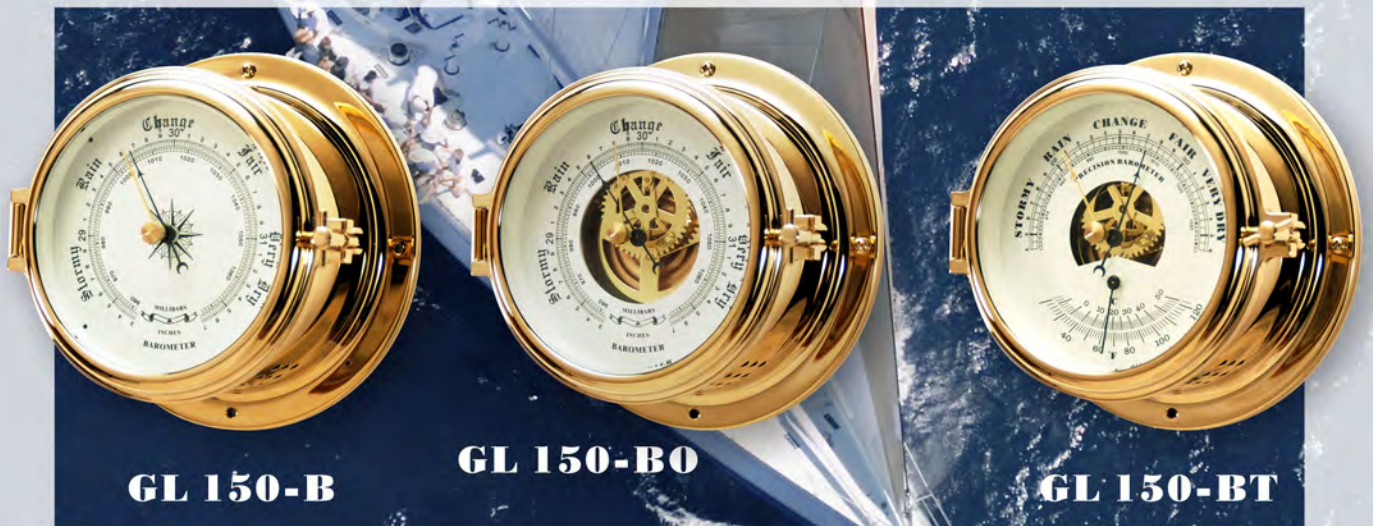
GL 120 Series Nautical barometer

Dial: 3-1/5" 81mm. Base: 4-3/4" 120mm. Depth: 2-1/8" 55mm. Wt. 370g



GL 122 Series Nautical barometer

Dial: 3-1/5" 81mm. Base: 4-3/4" 120mm. Depth: 1-1/2" 36mm. Wt. 230g



GL 150 Series Nautical Barometer

Dial 4" 102mm. Base: 6" 150mm. Depth: 3-1/8" 78mm. Wt. 550g

Nautical Barometer

GL 152 Series Nautical Barometer

Dial 3-3/4", 95mm. Base: 6", 150mm. Depth: 2-3/8" 60mm. Wt.460g



GL 152-B



GL 152-BO



GL 152-BT

GL 180 Series Nautical Barometer

Dial 5" 124mm. Base: 7" 180mm. Depth: 3-3/4" 95mm. Wt.990g



GL 180-B



GL 180-BO



GL 180-BT



GoodluckTM Nautical Instrument

GL 195 Series Nautical Barometer

Dial 5", 124mm. Base: 7", 180mm. Depth: 2-1/2" 62mm. Wt.880g



GL 198 Series Nautical Barometer

Dial 5", 124mm. Base: 7", 180mm. Depth: 1-3/4" 45mm. Wt.480g



Nautical Thermometer & Hygrometer

Features:

- Dial:** size: 3-1/5", 3-3/4", 4", 5" dial available.
style:
- T: Standard thermometer dial with Celsius & Fahrenheit scales.
 - H: Standard hygrometer dial with relative humidity shown in % scales.
 - TH: Comfortmeter dial: the thermometer displays temperature in both Celsius and Fahrenheit on the left scale, and the hygrometer showing % of relative humidity on the right.

Movement: Bimetal thermometer and hygrometer, with RoSH CERTIFICATE, pre-adjusted in a temperature controlled environment.

Case: 7 kinds of case model are available:
GL 120, GL 122, GL 150, GL 152, GL 180, GL 195, GL 198

All of the cases are made of brass and high quality alloy, polished by hand carefully, and coated with ultra-hard and corrosion resistance plating. The finish is maintenance-free and will never tarnish when exposed in marine environment for a long time.

*The color or luster is optional from which of polished brass, chrome and stainless steel.

Waterproof: GL 120, GL 122, GL 150, GL 152, GL 198 are semi-waterproof, can stand against splash water.

Warranty: **Movement:** 2-year warranty
lifetime servicing

Finish of Case: 10-year warranty
lifetime servicing



Technical Specifications of Aneroid Barometer Movement

Bimetal Thermometer

Table 4

Range	-20~50°C / -4~122 °F
Tolerance	+/-2°C

Bimetal Hygrometer

Range	20~90%RH
Tolerance	+/-9

Goodluck™ Nautical Instrument

GL120-TH

Dial: 3-1/5" 81mm.
 Base: 4-3/4" 120mm.
 Depth: 2-1/8" 55mm.
 Weight: 320g



GL 120-TH

GL122-TH

Dial: 3-1/5" 81mm.
 Base: 4-3/4" 120mm.
 Depth: 1-1/2" 36mm.
 Weight: 215g

GL 122-TH



GL 150-TH

GL 150-TH

Dial 4" 102mm.
 Base: 6" 150mm.
 Depth: 3-1/8" 78mm.
 Weight: 510g

GL 152-TH

Dial 3-3/4", 95mm.
 Base: 6", 150mm.
 Depth: 2-3/8" 60mm.
 Weight: 380g



GL152-TH



GL198-TH

GL180-TH

Dial 5" 124mm.
 Base: 7" 180mm.
 Depth: 3-3/4" 95mm.
 Weight: 910g

GL195-TH

Dial: 5", 124mm.
 Base: 7", 180mm.
 Depth: 2-1/2" 62mm.
 Weight: 790g



GL195-TH



GL180-TH

GL 198-TH

Dial: 5", 124mm.
 Base: 7", 180mm.
 Depth: 1-3/4" 45mm.
 Weight: 420g

Nautical Clinometer

Features:

Dial: size: 3-1/5", 3-3/4", 4", 5" dial available.
style:
CL: Clinometer dial with Degree scales.

Movement: All parts of the precision movement are made of brass with RoSH CERTIFICATE. Pre-adjusted in factory;

Self-lubricating without any lubuicating oil or damping agentto to avoid to be blocked;

With cushions to absorb the impact of pendulum.

With fixer for transportation

Case: 7 kinds of case model are available:
GL 120, GL 122, GL 150, GL 152, GL 180, GL 195, GL 198

All of the cases are made of brass and high quality alloy, polished by hand carefully, and cated with ultra - hard and corrosion resistance plating. The finish is maintenance -free and will never tarnish when exposed in marine environment for a long time.

*The color or luster is optional from which of polished brass, chrome and stainless steel.

Waterproof: GL 120, GL 122, GL 150 are semi-waterproof, can stand against splashing water.

GL 152, GL 198 are optional for waterproof structure which is of water tight seal.

Warranty: **Movement:** 2- year warranty
lifetime servicing
Finish of Case: 10- year warranty
lifetime servicing



GL 120-CL

Dial:3-1/5" 81mm.
Base: 4-3/4" 120mm.
Depth: 2-1/8" 55mm.
Weight.470g

GL 122-CL

Dial:3-1/5" 81mm.
Base: 4-3/4" 120mm.
Depth: 1-1/2" 36mm.
Wt.370g

Tcehcnical Specifications of Clinometer Movement

Clinometer Movement

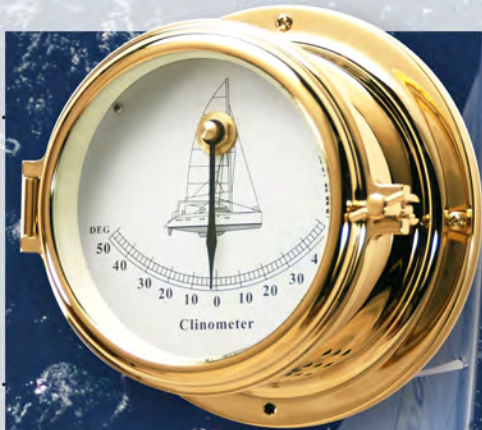
Table 5

Measuring Range	-50~50 DEG
Tolerance	+/-1.5 DEG

Goodluck™ Nautical Instrument

GL150-CL

Dial 4" 102mm.
Base: 6" 150mm.
Depth: 3-1/8" 78mm.
Weight: 655g



GL150-CL



GL152-CL

GL152-CL

Dial 3-3/4", 95mm.
Base: 6", 150mm.
Depth: 2-3/8" 60mm.
Weight: 560g

GL180-CL

Dial 5" 124mm.
Base: 7" 180mm.
Depth: 3-3/4" 95mm.
Weight: 1090g



GL180-CL

GL198-CL

Dial 5", 124mm.
Base: 7", 180mm.
Depth: 1-3/4" 45mm.
Weight: 570g



GL195-CL

GL195-CL

Dial 5", 124mm.
Base: 7", 180mm.
Depth: 2-1/2" 62mm.
Weight: 970g



GL198-CL

Wooden Stand Base

Features:

- Solid wood stand base with high quality matt finish.
- Mahogany or Walnut finish optional.
- With scratch-resistant sole.
- Safe packing with ECO-friendly EPE cushion.
- Engravable brass plate optional .
- Customizing Engraving service available.



GL 150-SB
with GL152-TT

GL 180-SB
with GL180-C1

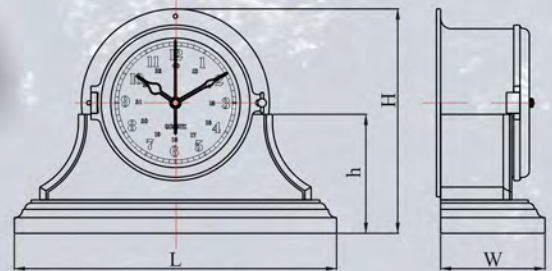


GL 180-DB
with GL180-C1
& GL180-BT

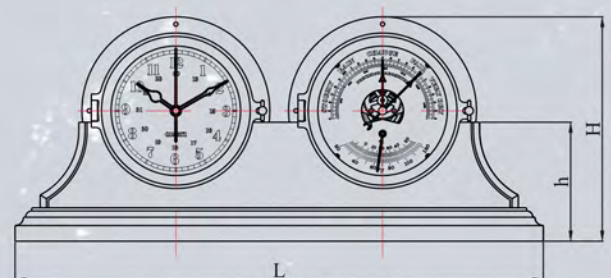
GL 150-DB
with GL152-C1 & GL 152-B

Table 6

Item No.	Measure (mm)				Weight (kg)
	L	H	h	W	
GL 120-SB	205	146	76	60	
GL 120-DB	336	146	76	60	
GL 150-SB	256	180	95	80	1.41
GL 150-DB	420	180	95	80	1.53
GL 180-SB	308	215	114	100	2.08
GL 180-DB	506	215	114	100	2.83



Single Stand Base-SB



Double Stand Base-DB

* The GL 150-SB & GL 150-DB are also suitable for GL 152 series.

Wooden Plaque

GL 034 GL 036 Series Plaque

Features:

- Solid wood plaque with high quality matt finish.
- Mahogany or Walnut finish optional.
- Wall mounted.
- Engravable brass plate optional.
- Customizing Engraving service available.
- With scratch-resistant sole.
- Safe packing with ECO-friendly EPE cushion.
- Brass corner with ultra hard and high corrosion resistance finish, will never tarnish.



GL 034-122C1BTH

GL 034-120C1BTH



GL 036-122C1BTH

GL 036-120C1BTH

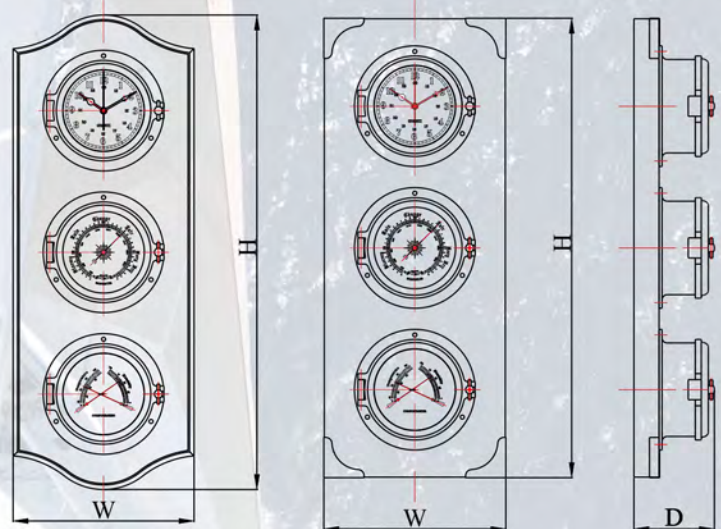


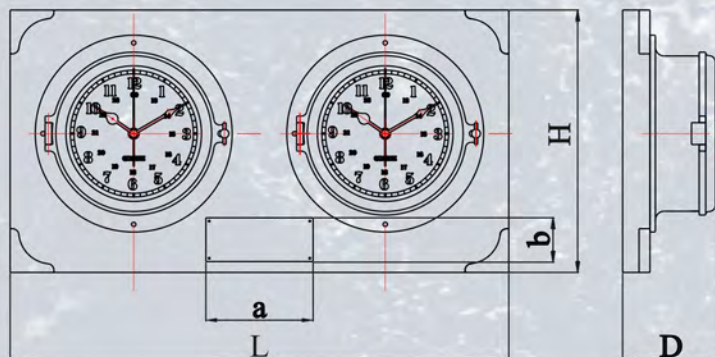
Table 7

Item No.	Measure (mm)			Weight (kg)
	H	W	D	
GL 034-120	472	180	82	2.19
GL 034-122	472	180	63	1.85
GL 036-120	456	180	82	2.35
GL 036-122	456	180	63	2.01

Wooden Plaque



GL 039-195C2B



GL 039

Features:

- Solid wood plaque with high quality matt finish.
- Mahogany or Walnut finish optional.
- Brass corner with ultra hard and high corrosion resistance finish, will never tarnish.
- Wall mounted.
- Engravable brass plate included.
- Customizing engraving service available.
- With scratch-resistant sole.
- Safe packing with ECO-friendly EPE cushion.

Table 8

Item No.	Measure (mm)					Weight (kg)
	L	H	D	a	b	
GL 039-120	330	180	82	67	29	1.51
GL 039-122	330	180	63	67	29	2.53
GL 039-150	400	200	105	85	35	2.53
GL 039-152	400	200	88	85	35	2.29
GL 039-195	456	240	90	98	40	3.23
GL 039-198	456	240	73	98	40	2.83



GL 039-152C2B



GL 039-198C1BO

Wooden Plaque

GL 040 Series Plaque

Features:

- Solid wood plaque with high quality matt finish.
- Mahogany or Walnut finish optional.
- Wall mounted, horizontal or vertical.
- Engravable brass plate optional.
- Customizing engraving service available.
- With scratch-resistant sole.
- Safe packing with ECO-friendly EPE cushion.



GL 040-152C2B



GL 040-198C1BO



GL 040-195C2A1TH

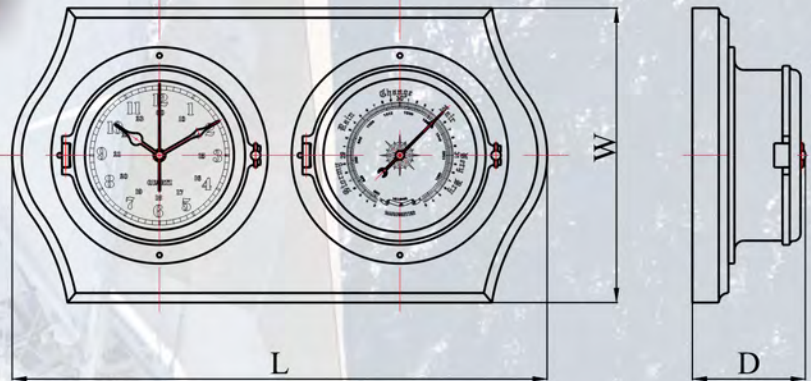


Table 9

Item No.	Measure (mm)					Weight (kg)
	L	W	D	a	b	
GL 040-120	330	180	82			1.37
GL 040-122	330	180	63			1.13
GL 040-150	400	200	105			2.33
GL 040-152	400	200	88			2.09
GL 040-195	445	245	95			3.71
GL 040-198	445	245	78			3.31

Wooden Plaque

GL 201 Plaque

Features:

- Solid wood plaque with high quality matt finish.
- Mahogany or Walnut finish optional.
- Brass corner with ultra hard and high corrosion resistance finish, never tarnish.
- Wall mounted.
- Engravable brass plate included.
- Customizing Engraving service available.
- With scratch-resistant sole.
- Safe packing with ECO-friendly EPE cushion.



GL 201-195C2



GL 201-198BO

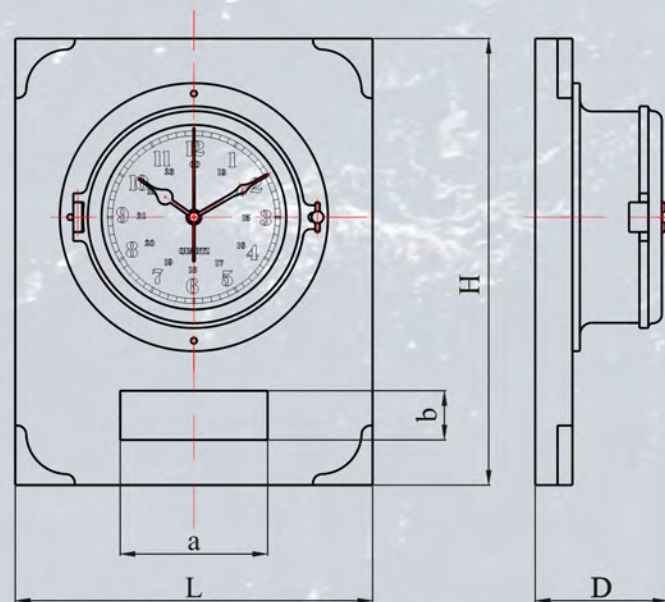


Table 10

Item No.	Measure (mm)					Weight (kg)
	L	H	D	a	b	
GL 201-195	240	300	90	98	40	1.90
GL 201-198	240	300	73	98	40	1.50

Weather Station

The Function Set & Plaque Style Selection

The function set and plaque style of weather station can be choosed or combined by customer accoding to the table as follows:

Table 11

No. of Instrument Model	No. of Instrument Function	Item No. of Wood Plaque				
		GL 034	GL 036	GL 039	GL 040	GL 201
GL 120	C	●	●	●	●	
	B	●	●	●	●	
	BO	●	●	●	●	
GL 122	T	●	●	●	●	
	H	●	●	●	●	
	TH	●	●	●	●	
GL 150	C			●	●	
	B			●	●	
	BO			●	●	
GL 152	BT			●	●	
	TH			●	●	
GL 195	C			●	●	●
	B			●	●	●
	BO			●	●	●
GL 198	BT			●	●	●
	TH			●	●	●

● - Recommended ● - Optional

Ship wheel decor

GL 193 Ship Wheel Decor

Features:

- The ship wheel decor suitable for GL 195 and GL 198.
- Wheel is made of MDF, handles are made of solid wood, with high quality matt finish.
- Mahogany or Walnut finish optional.
- Wall mounted.
- With scratch-resistant sole.
- Safe packing with ECO-friendly EPE cushion.



GL 193-195C4



GL 193-198TT

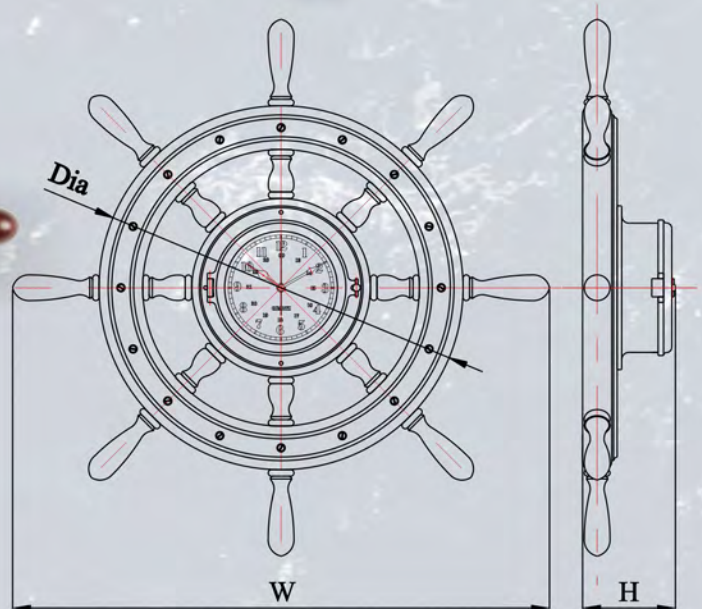


Table 12

Item No.	Measure (mm)			Weight (kg)
	W	H	Dia	
GL 193-195	592	103	400	3.41
GL 193-198	592	86	400	3.01

GoodluckTM

Nautical Gift



For the details of *Goodluck*TM Nautical Gifts, please see Goodluck Company's catalogue of nautical gifts, or login the company's web site:

<http://www.goodluck1998.com.cn>
<http://goodluck1998.en.alibaba.com>



Goodluck

with you